



## Features:

- 9.7" TFT LCD display
- Rimless front bezel design
- Integrated protection glass
- Small footprint
- User friendly OSD control buttons
- Sleek surface throughout monitor's appearance
- Low power consumption with LED backlight

## Specification

PM1000		
	Standalone	2nd display
Display Size	9.7" TFT LCD	
Color	Black	
Touch Screen	PCAP (option)	
Optimal Resolution	1024 * 768	
Brightness	350 cd/m <sup>2</sup>	
Contrast Ratio	500: 1 (typ)	
Response Time	20 ms (typ)	
OSD Control	Power On / Off with LED Indicator and OSD function control	
I/O Port	VGA D-Sub x 1, A Type USB x 1(PCAP), DC 12V in	A Type USB x 1, DC 12V in
Power Supply	DC 24W(12V) external power adapter	-
Temperature	Operation : 32° to 104° F (0° to 40° C); Storage : -4° to 140° F (-20° to 60° C)	
Relative Humidity	20% to 80% non-condensing	
Approvals	CE/ FCC	
Mounting	VESA mount (75 x 75 mm )	
Dimension	(W) 232 x (H) 225 x (D) 140 mm	(W) 232 x (H) 192 x (D) 37 mm



Optional P-Cap multi-touch



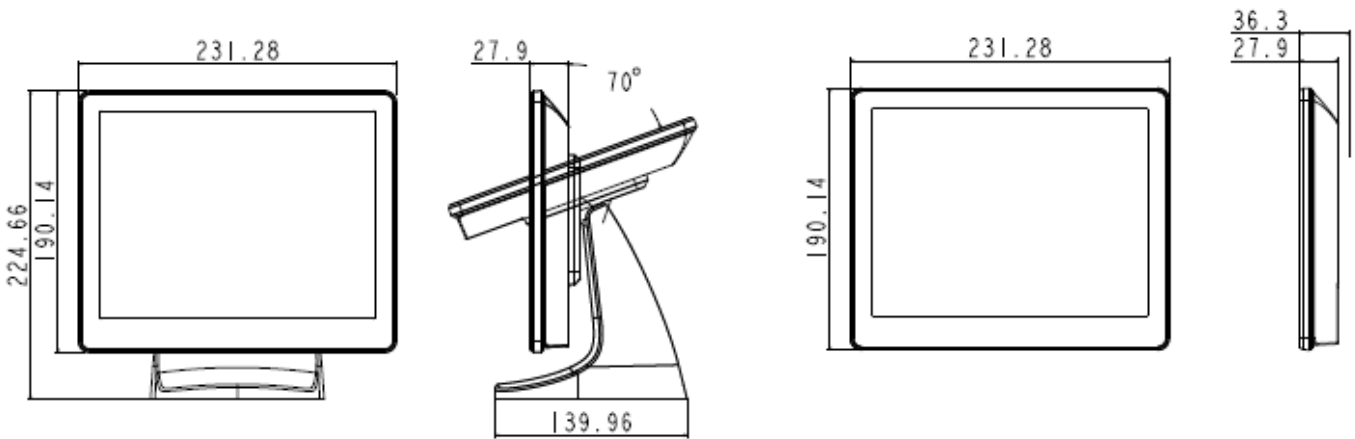
Slim & compact but still stable



2<sup>nd</sup> display

## Mechanical Layout / Drawing

Unit: mm



## I/O Drawing

