



Features

- 15" All-in-One Panel PC POS terminal with bezel-free touch display
- Energy-efficient & Powerful Intel® 7th Gen. Core I processors
- Durable operation with fanless design
- Water & dust-proof front panel protection rated IP64
- USB ports on both sides of the screen for peripheral connections
- Easy access hard drive tray for installation
- Embedded 260 mm/sec high-speed thermal printer
- SII-RP-D10 and EPSON TM-m30 thermal printer compatible
- Optional VFD & 8", 9.7" customer display, 2D barcode scanner, MSR, iButton, WiFi

Specification



Model		PST750
Display	LCD Display Size	15" eDP Panel
	Max. Resolution	1024 X 768
	Brightness /Support Color	350 cd/m ² , 16.7M colors
Touch Panel	Type	5-wire analog Resistive or Projected Capacitive touch
Processor	CPU/ Chipset	Intel® Celeron 3965U (Dual Core 2MB Cache, up to 2.20GHz) MOQ required
		Intel® Core™ i3-7100U (Dual Core 3M Cache, up to 2.40 GHz)
		Intel® Core™ i5-7200U (Dual Core 3M Cache, up to 3.10 GHz)
		Intel® Core™ i7-7500U (Dual Core 4M Cache, up to 3.50 GHz)
Memory		X 1 (DDR4-2133MHz SO-DIMM, up to 16GB)
Storage		X 1 (2.5" SATAIII SSD)
I/O Connectors	USB 2.0	x 2 (rear), x 2 (side)
	USB 3.0	x 4 (rear)
	Powered COM (RS232)	X 3 (DB9 Power COM RI/ 5V/ 12V selected by jumper)
	Cash Drawer Port	x 1 (24V RJ11)
	VGA	x 1 (DB15)
	Audio	Internal Speaker
	LAN	x 1 (RJ45 10/100/1000 Base-T)
	DC out	1 x 24V 4-pin connector for printer
	DC in	Lockable 3-pin DC 19V
Optional Peripherals		VFD / 8", 9.7" customer display / MSR / iButton / 2D barcode scanner / WiFi
Power Supply		90W DC 19V 3-pin power adapter
OS Support		Linux / Win 10 IoT Enterprise
Environment	Temperature	32° to 95° F (0° to 35° C)
	Operation Storage	-4° to 140° F (-20° to 60° C)
	Relative Humidity	20% to 80% non-condensing
Dimension (W x H x D)		364 x 400 x 261

Specifications subject to change without notice.

PST750

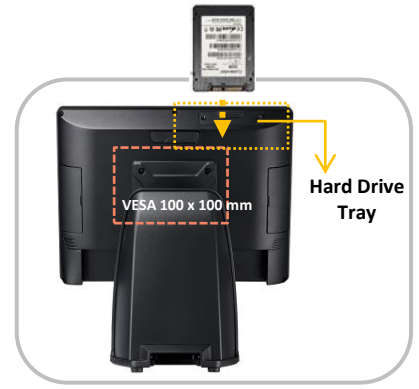
Fully Integrated Printer POS Terminal



Aluminum housing with fanless design
IP64 compliant front panel



Small footprint for counter space saving



Easy access hard drive tray and with VESA mount support



Self-service terminal for information, self-ordering, digital reception, registration

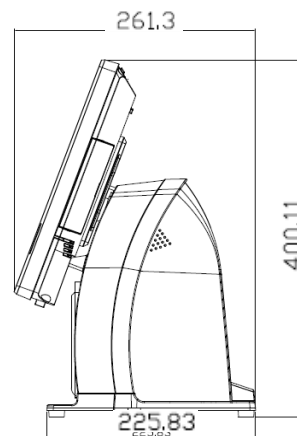
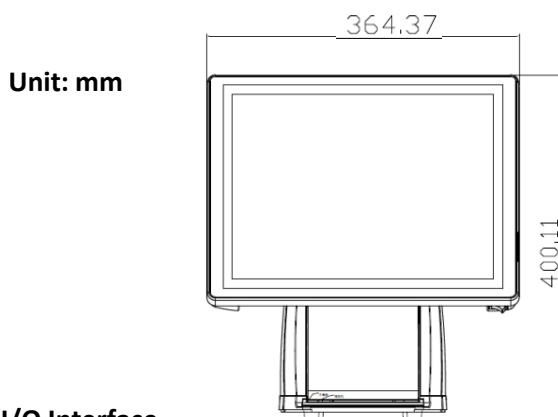


USB ports on both sides of the screen for peripheral connections

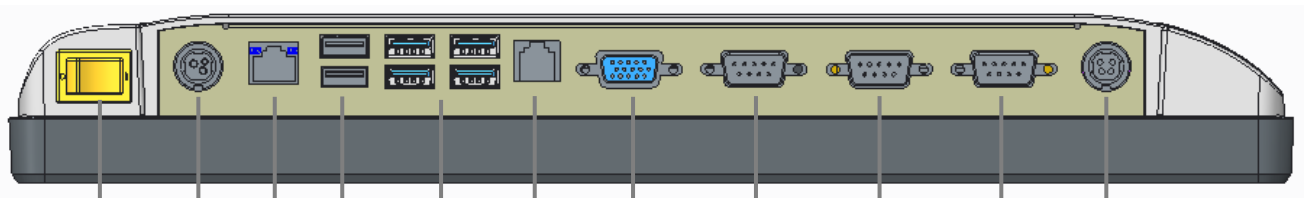


Optional VFD & 8", 9.7" customer display

Mechanical Layout / Drawing



I/O Interface



Power Switch DC 19V IN LAN USB 2.0 x 2 USB 3.0 x 4 RJ11 VGA COM1 COM2 COM3 24V Printer DC Out