



Features

- 15" all-in-one panel PC style with bezel-free touch display
- Power efficient Intel® Bay Trail Celeron J1900 quad-core 2.0GHz processor
- Compact, reliable and affordable POS terminal
- IP64 water & dust- proof front panel protection
- Optional VFD & 8"/10.4" attached customer display
- 5V/12V DC powered COM with jumper-less BIOS setting
- Optional 1D/2D barcode scanner, MSR, i-Button & RFID, Fingerprint reader

Specification

Model		PT3200	
Display	LCD Display Size	15" TFT LCD	
	Max. Resolution	1024 X 768	
	Brightness / Support Color	250 cd/m ² , 16.2M/ 262K colors	
	Backlight	LED	
Touch Panel	Type	Five-wire analog resistive type or projected capacitive touch	
Processor	CPU / Chipset	Intel® Celeron J1900 QC 2.0Ghz	
Memory		X 1 (DDR3L 1600MHz SO-DIMM, up to 8GB)	
Storage		X 1 (2.5" SATAIII HDD)	
I/O Connectors	USB 3.0	X 1	
	USB 2.0	X 3	
	Powered COM	X 3 (D-type 9 pins powered COM with DC 5V/ 12V selection)	
	Cash Drawer Port	X 1 (12V RJ11 cash drawer port)	
	LAN	X 1 (RJ45, 10/100/1000 Base-T)	
	Audio Port	X 1 Line-out	
Optional Peripherals		VFD / 8"/10.4" second display / MSR / iButton / RFID / WiFi / 1D/2D barcode scanner / fingerprint reader	
Power Supply		60W 19V power adapter	
OS Support		POSReady 7 / Win 8.1 Industry Pro / Win 10 IoT Enterprise	
Environment	Temperature	Operation	32° to 95° F (0° to 35° C)
		Storage	-4° to 140° F (-20° to 60° C)
	Relative Humidity		20% to 80% non-condensing
Chassis Housing		Metal & plastic/ black	
Dimension (W x H x D)		371 x 351 x 207 mm	

Specifications subject to change without notice.

PT3200

15" All-in-One POS terminal with Intel Bay Trail Quad-Core processor Featuring the Compact Design



IP64 water & dust-proof front panel protection

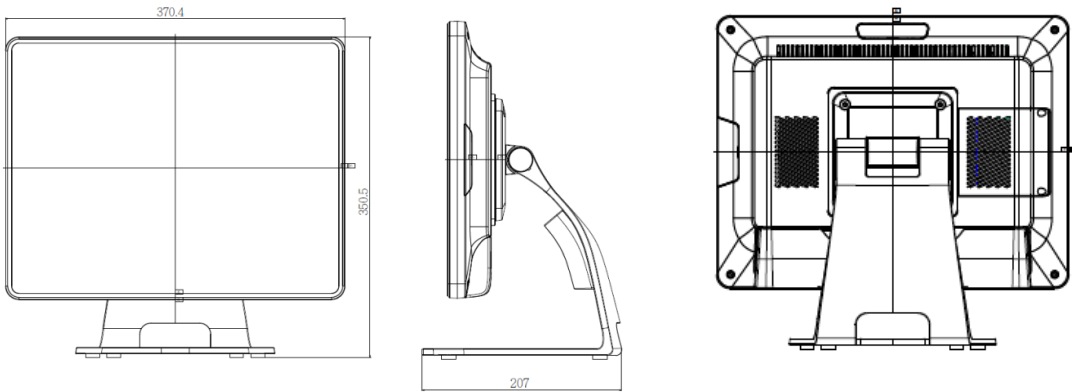


Small footprint and compact design



Optional MSR, smart card, Mifare RFID, iButton or fingerprint reader devices

Mechanical Layout / Drawing



Unit: mm

I/O Interface

