




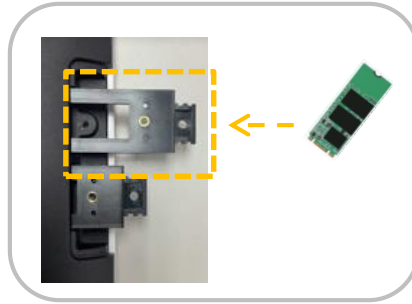
Features

- 15.6" all-in-one panel PC with bezel-free touch display
- Power efficient Intel® Whiskey Lake Core™ i Processor
- Easy access M.2 SSD for installation and maintenance
- Optional VFD & 9.7" or 15.6" attached customer display
- Optional MSR, iButton, fingerprint, 2D scanner, and RFID
- Support portrait screen mode
- Slim edge bezel
- CPU supports Intel® TXT & AVX (only i5-8365UE with manufacturing option)

Model		PT2700	
Display	Display Size	15.6" TFT LCD 	
	Resolution	1920 X 1080	
	Brightness / Color	300 cd/m ² , 16.2M colors	
	Backlight	LED	
Touch Panel	Type	Projected capacitive touch	
Processor	CPU/ Chipset	Intel® Whiskey Lake Core™ i5-8365UE(support Intel® TXT & AVX)	
		Intel® Whiskey Lake Core™ i5-8265U	
		Intel® Whiskey Lake Core™ i3-8145UE	
		Intel® Celeron® Processor 4305UE	
Memory	X 2 SO-DIMM socket supports up to 64GB		
Storage	X 1 (M.2 SSD M-Key supports 2242 & 2280) NVME PCI-e Gen3 x 4		
	X 1 (M.2 SSD M-Key Supports 2242 & 2280) only SATA		
I/O Connectors	USB 2.0	X 5 (Rear X 4, Side X 1)	
	Power 24V USB 2.0	X1 (Retain adapter 150W)	
	USB 3.2 Gen1	X 2 (Rear)	
	USB Type-C 3.2 Gen1	X1	
	USB Type-C DP	X1	
	WIFI	X1 E-Key (Supports WIFI & Bluetooth)	
	4G LTE	X1 (Mini-SIM on M/ B board)	
	Powered COM (RS232)	X3 (RJ45 powered COM 5V/ 12V selected by BIOS)	
	Cash Drawer Port	X 1 (24V RJ11 cash drawer port)	
	Audio Port	Speaker	X1 (2W)
		Line Out	X1
	LAN	x 1 (RJ45 10/ 100/ 1000 Base-T)	
DC In	Lockable 3-pin DC input		
Optional Peripherals	VFD/ 15.6" & 9.7" 2 nd display/ MSR/ iButton/ RFID/ Fingerprint/ 2D Scanner		
Power Supply	90W/ Option 150W 19V lockable 3-pin power adapter		
OS Support	Windows 10 IoT VALUE		
Environment	Temperature	Operation	32° to 95° F (0° to 35° C)
		Storage	-4° to 140° F (-20° to 60° C)
	Relative Humidity	20% to 80% non-condensing	
Dimension (W x H x D) mm	365 x 220 x 310 mm		
Certifications	CE/ FCC/ LVD		
Protection	IP64 on front bezel		



15.6" solid aluminum die-casting rear cover with fanless design is powered by Intel® 8th Whiskey Lake Core™ i3/ i5 ULV Processor



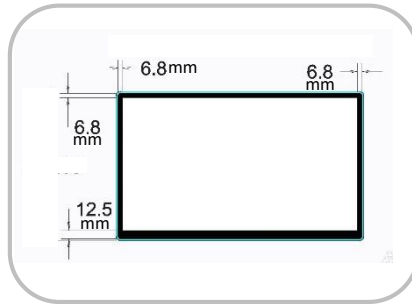
Easy access M.2 SSD M-Key
PCI-e Gen 3 x 4 NVME



PCI-E Gen3 x4 M.2 SSD with 4 times faster speed than SATA3



Portrait screen mode



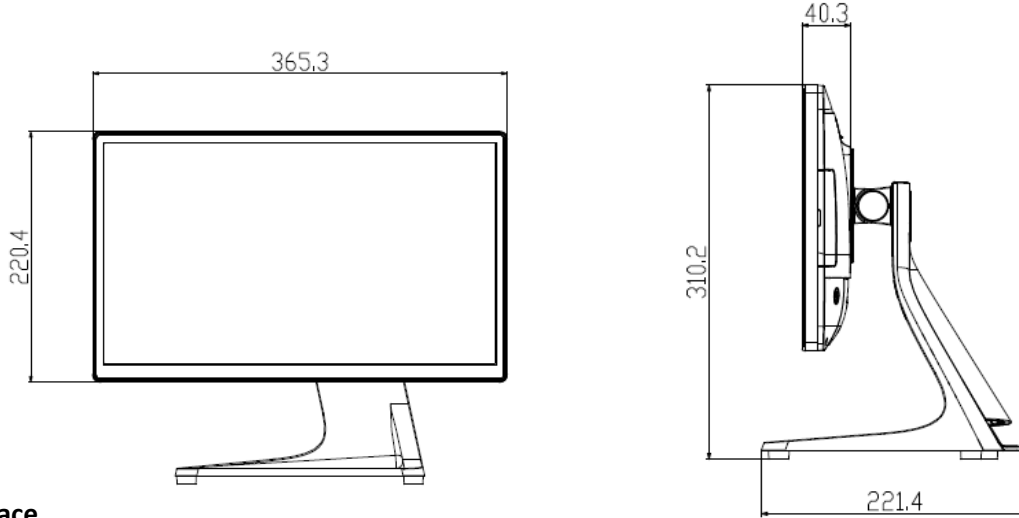
Slim edge bezel



Support Type C USB 3.2 Gen1 & DP

Mechanical Layout / Drawing

Unit: mm



I/O Interface

